

TOP EDGE OF UNIT

UNIT OUTLINE

MOUNTING HOLE (2 PLACES)

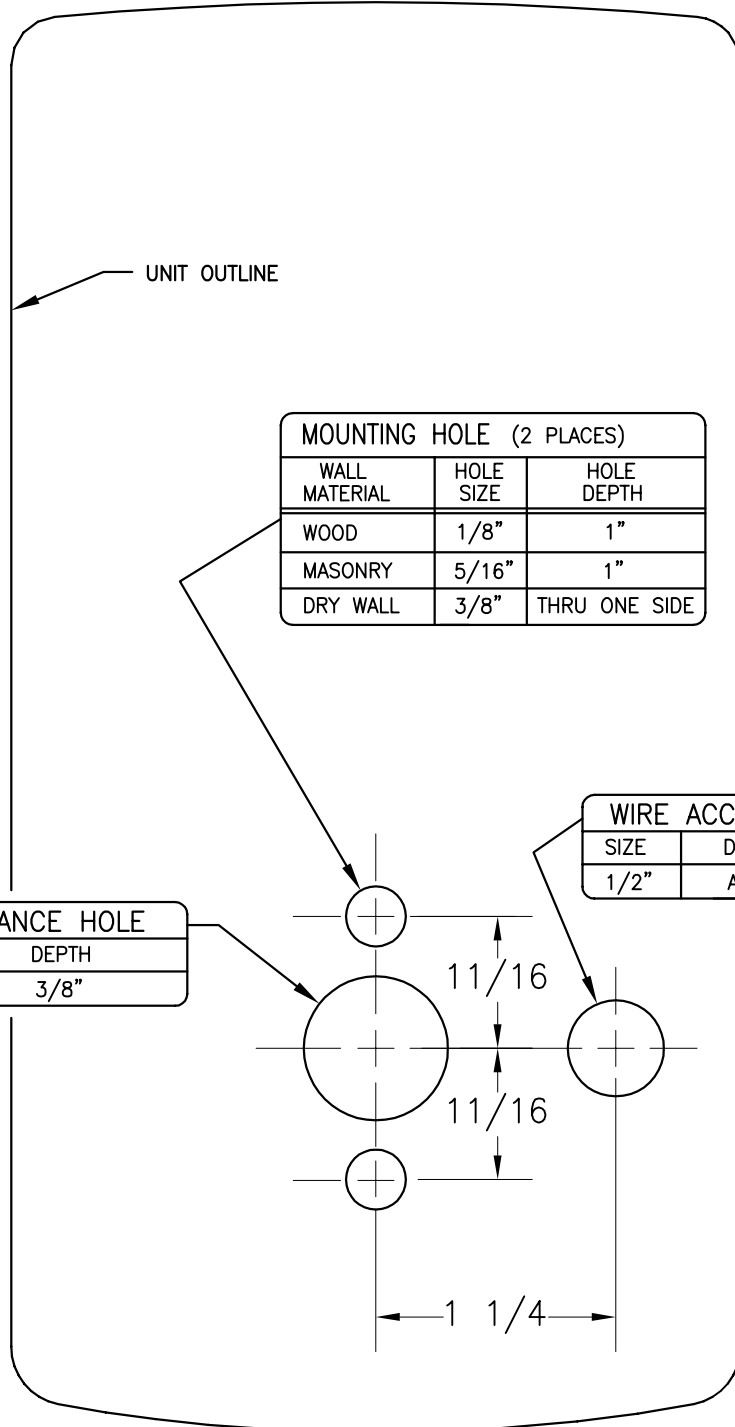
WALL MATERIAL	HOLE SIZE	HOLE DEPTH
WOOD	1/8"	1"
MASONRY	5/16"	1"
DRY WALL	3/8"	THRU ONE SIDE

WIRE ACCESS HOLE

SIZE	DEPTH
1/2"	AS REQUIRED

CLEARANCE HOLE

SIZE	DEPTH
3/4"	3/8"



OSI SECURITY DEVICES
1580 JAYKEN WAY
CHULA VISTA, CA 91911

TEMPLATE, WALL MOUNT SYSTEM,
NON-WEATHERIZED
P/N 11633, REV A

OSI SECURITY DEVICES
ART P/N 11633, REV A